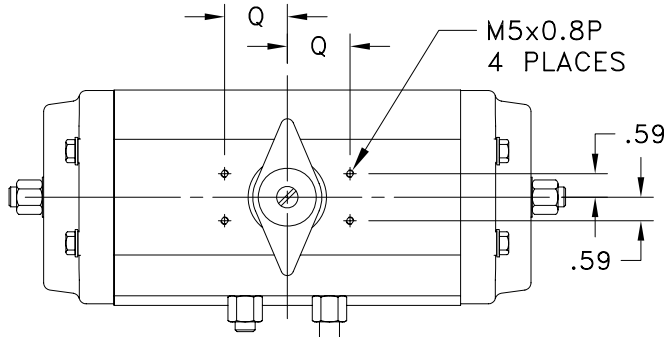




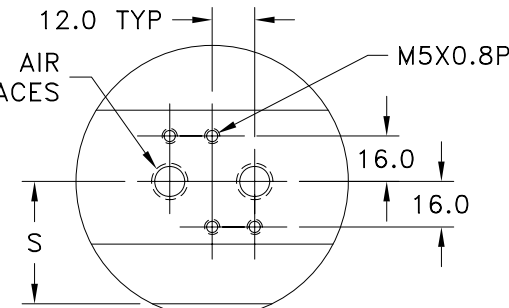
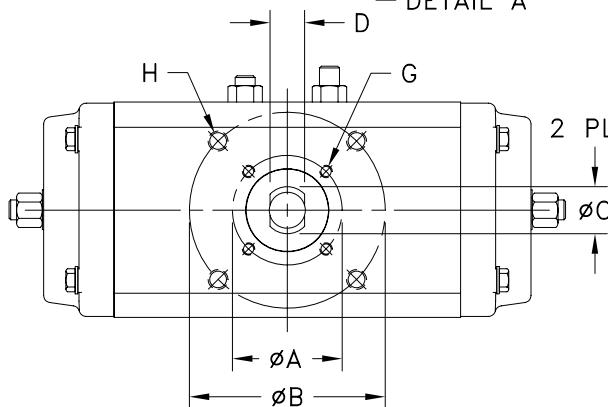
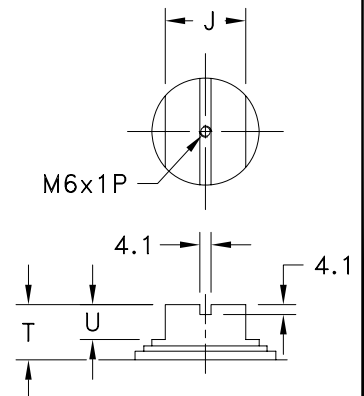
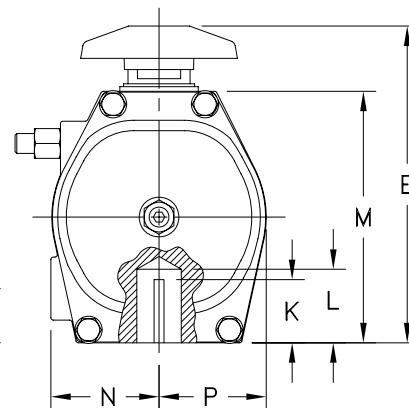
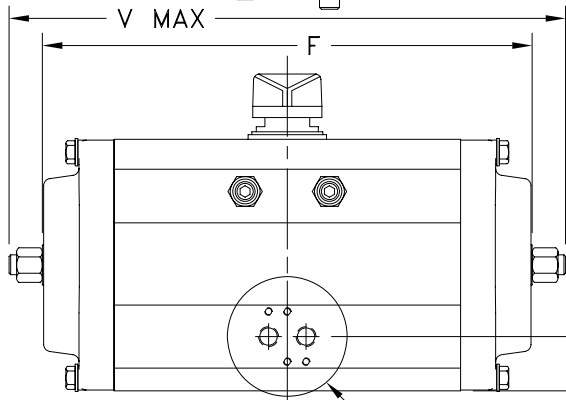
**\*ATTENTION\***

THIS DOCUMENT IS VALID IF AND ONLY IF YOU PERSONALLY DOWNLOADED IF FROM WWW.BRAY.COM  
IF YOU RECEIVED THIS DOCUMENT FROM ANY OTHER SOURCE, PLEASE TAKE INTO CONSIDERATION THAT ALTERATIONS  
COULD HAVE BEEN MADE, FOR AN ORIGINAL COPY, PLEASE CONTACT BRAY VALVE AT 281-894-5454

Act Size	AIR ISO 7/1	A	B	C	D	E	F	G	H	J	K	L	M	N	P
63	Rp 1/4	50.0	70.0	14.0	10.2	115.1	142.0	M6x1.0P	M8x1.25P	9.6	-	35.0	88.0	43.7	35.0
83	Rp 1/4	50.0	70.0	19.1	13.0	138.0	188.0	M6x1.0P	M8x1.25P	12.7	-	37.1	108.4	57.9	45.5
92	Rp 1/4	50.0	70.0	19.1	13.0	147.0	218.2	M6x1.0P	M8x1.25P	12.7	-	37.1	117.1	62.7	50.0
118	Rp 1/4	70.0	125.0	30.0	22.1	185.0	302.3	M8x1.25p	M12x1.75P	28.4	-	55.9	140.2	70.6	60.2
127	Rp 1/4	70.0	125.0	30.0	22.1	205.5	312.7	M8x1.25p	M12x1.75P	28.4	-	55.9	160.5	73.2	68.6
160A	Rp 1/4	-	125.0	30.0	22.1	238.0	395.0	-	M12x1.75P	28.4	-	55.9	198.1	96.0	86.1
160B	Rp 1/4	-	125.0	35.0	10.0	238.0	395.0	-	M12x1.75P	28.4	50.8	60.4	198.1	96.0	86.1
210	Rp 1/4	125.0	165.1	50.0	12.0	295.1	497.1	M12x1.75P	M16x2P	28.4	70.1	120.0	285.1	115.8	112.0
255A	Rp 1/4	165.1	120.0 x200.0	63.5	15.9	342.6	731.0	M16x2P	M16x2P	28.4	108.0	171.4	306.3	137.2	137.0
255B	Rp 1/4	165.1	120.0 x200.0	76.2	19.1	342.6	731.0	M16x2P	M16x2P	28.4	108.0	171.4	306.3	137.2	137.0



Act Size	Q	S	T	U	V
63	40.1	22.6	20.1	12.0	174.5
83	40.1	32.0	20.1	12.0	232.2
92	40.1	33.5	20.1	12.0	287.5
118	40.1	41.6	20.1	12.0	389.4
127	40.1	41.6	20.1	12.0	420.1
160A	65.0	57.4	30.0	19.1	506.0
160B	65.0	57.4	30.0	19.1	506.0
210	65.0	62.2	30.0	19.1	630.0
255A	65.0	63.0	30.0	19.1	908.3
255B	65.0	63.0	30.0	19.1	908.3



DETAIL A  
NAMUR MOUNTING PAD

STEM BORE DETAIL  
SIZE 160B thru 255B

**NOTES:** SERIES 92 ACTUATORS (DOUBLE ACTING) AND SERIES 93 (SINGLE ACTING) ARE DIMENSIONALLY THE SAME.

Customer/Project \_\_\_\_\_  
 Inq./P.O. No. \_\_\_\_\_  
 Bray Order No. \_\_\_\_\_  
 Certified Correct By \_\_\_\_\_ Date \_\_\_\_\_

DIMENSIONS (Metric)  
 METRIC PNEUMATIC ACTUATOR, SERIES 92/93, SIZES 63 - 255,  
 WITH INTERNAL BI-DIRECTIONAL TRAVEL STOP  
 & EXTERNAL TRAVEL STOPS



SHEET 1 OF 1	REV. RFP
DRAWING NO. <b>ES12A-0534</b>	